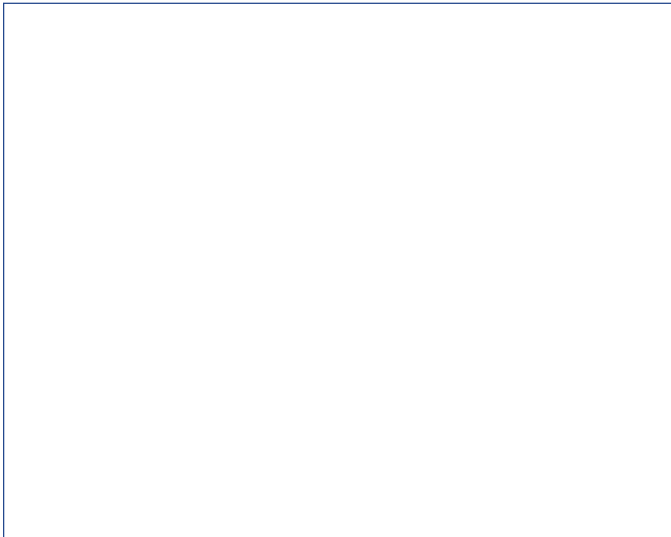


The Pittsburgh Corning Promise

The comprehensive variety of patterns, styles, and sizes available have been designed to work together in your projects as a total system. Pittsburgh Corning stands behind all glass block units when used exclusively with Pittsburgh Corning accessory products by offering a limited five-year warranty. ISO 9002 Certification assures that Pittsburgh Corning is committed to quality innovation.

The information contained herein is accurate and reliable to the best of our knowledge. But, because Pittsburgh Corning Corporation has no control over installation workmanship, accessory materials or conditions of application, NO EXPRESS OR IMPLIED WARRANTY OF ANY KIND, INCLUDING THOSE OF MERCHANTABILITY OR FITNESS FOR A PARTICULAR PURPOSE, IS MADE as to the performance of an installation containing Pittsburgh Corning products. In no event shall Pittsburgh Corning be liable for any damages arising because of product failure, whether incidental, special, consequential or punitive, regardless of the theory of liability upon which any such damages are claimed. Pittsburgh Corning Corporation provides written warranties for many of its products, and such warranties take precedence over the statements contained herein.



Pittsburgh Corning Glass Block Resource Center:

1-800-624-2120

(Your source for where to buy, answers to technical questions, literature and more.)



800 Presque Isle Drive
Pittsburgh, PA 15239-2799
Tel: 1-800-624-2120
(Glass Block Resource Center)

www.pittsburghcorning.com



© 2002 Pittsburgh Corning Corporation

All trademarks and registered trademarks in this brochure are owned and protected by Pittsburgh Corning Corp. Pittsburgh, PA 15239

Printed in U.S.A. GB-279 250M 1/02



RESIDENTIAL PRODUCTS

Shower Systems



Quality made in the U.S.A.

The Custom Look Made Easy!

Pittsburgh Corning Glass Block Shower Systems

Get ready to be introduced to the greatest advance in bathroom showers since hot water. New Pittsburgh Corning Glass Block Shower Systems make it easier and more cost-effective than ever for you to bring the impact of a bright, beautiful glass block shower into your bathroom designs. So you get all the beauty of a custom-built glass block shower – easier than ever before!

Features/Benefits

All Pittsburgh Corning Shower Systems are pre-designed to include:

- **Premiere Series Glass Block Providing**
 - Timeless beauty and practicality
 - Durability and ease of maintenance
- **Customized Acrylic Base**
 - Designed to accommodate and support glass block
 - Installed like traditional shower bases to help reduce installation time and labor coordination
 - Stain resistant, durable, easy to clean
- **Doors**
 - Pre-selected to fit and install with the shower systems
- **Detailed Installation Instructions and Bill of Materials – to Simplify Ordering and Installation**

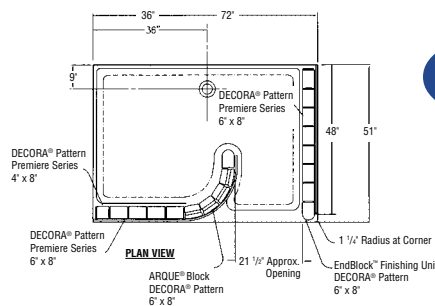
So take a look through the brochure, and see how Pittsburgh Corning Glass Block Shower Systems can give your next bathroom design the custom look you want.

The Walk-In



Size: 72"x51"

For a truly astounding shower design, step out of the ordinary and step into the beautiful Pittsburgh Corning Glass Block Walk-In Shower. A dramatic addition to any bathroom, the Walk-In Shower adds a level of elegance and luxury that today's discerning homeowner wants.



New!
Optional Left
Entry Base



Two Patterns to Choose From



DECORA® Pattern
Trademark wavy undulations provide maximum light transmission with subtle visual distortion.



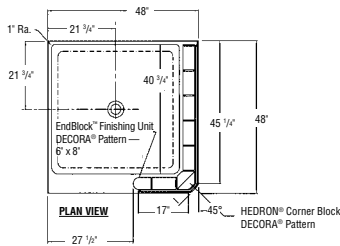
IceScapes® Pattern
Non-directional pattern lets light in without sacrificing privacy. Maximum light transmission/maximum privacy.

The Classic



Size: 48" x 48"

Classic is not a word to be used lightly. A classic fits anywhere. A classic has lasting beauty. And it's the perfect choice to brighten up any bathroom. The Pittsburgh Corning Glass Block Classic Shower design brings the crystalline beauty of glass block to a timeless bathroom design.

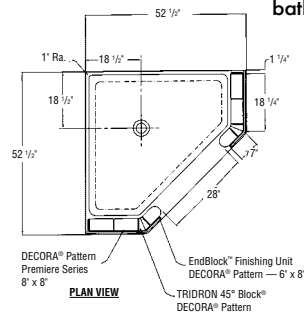


The Neo Angle



Size: 52" x 52"

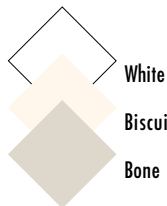
Neo, of course, means new. And the Pittsburgh Corning Glass Block Neo Angle Shower definitely gives you a new twist in updating ordinary bathroom design. Designed to brighten up nearly any corner, the Neo Angle Shower could be the perfect choice to give a small bathroom a new look.



Base Colors

Standard Colors

These colors are in stock and are ready to ship.



Designer Colors

Our designer colors add a special touch that's worth the wait. Allow 14 extra business days when ordering showers with bases in Designer Colors.



Note: Colors shown here are illustrated in ink. Actual shower base colors may vary from colors shown here.

Doors

Each Pittsburgh Corning Glass Block Shower in the Classic or Neo Angle style is designed to accommodate a nominal 28" x 69" door. They are available with clear or hammered glass and gold or silver frames.



Silver with hammered glass



Gold with clear glass



**New, easy-to-install
Pittsburgh Corning Glass Block
Shower Systems are available
with all of the major components
you need to build one of these
bright, beautiful showers.**

Single Source of Supply

- All components available through local distributors and select home centers (through special order).
- Individual components also sold separately.

EASY TO ORDER KITS . . . Simply choose Glass Block Pattern, Shower Style, Base Color and Door Style. All kits come complete with DECORA® Pattern or IceScapes® Pattern Glass Block and Installation Accessories.

Each Walk-In Shower System Kit Contains:

- 1 Walk-In Acrylic Shower Base, 72" x 51" (select color/entry)
- 110 6" x 8" x 4" Glass Blocks
- 10 4" x 8" x 4" Glass Blocks
- 40 6" x 8" x 4" ARQUE® Glass Blocks
- 20 6" x 8" x 4" EndBlock™ Units
- 15 Panel Anchors, 24" long
- 1 Panel Anchor Hardware Kit
- 1 2 oz. Bottle of WeldBond® Primer
- 1 8 oz. Bottle of TGR® Grout Sealer
- 10 Panel Reinforcing, 48" long
- 10 Expansion Strips, 24" long
- 2 Tubes Glass Block Sealant, 10 oz.
- 7 Bags (25 per bag) VeriTru® Spacers
- 3 Bags (25 per bag) ARQUE® Spacers
- 1 Installation Instructions
- 1 Chrome Shower Drain

Each Classic Shower System Kit Contains:

- 1 Classic Acrylic Shower Base, 48" x 48" (select color)
- 60 8" x 8" x 4" Glass Blocks
- 10 6" x 8" x 4" EndBlock™ Units
- 10 8" HEDRON® Corner Blocks
- 7 Panel Anchors, 24" long
- 1 Panel Anchor Hardware Kit
- 1 2 oz. Bottle of WeldBond® Primer
- 1 8 oz. Bottle of TGR® Grout Sealer
- 6 Panel Reinforcing, 48" long
- 5 Expansion Strip, 24" long
- 2 Tubes Glass Block Sealant, 10 oz.
- 5 Bags (25 per bag) VeriTru® Spacers
- 1 Pivot Shower Door
- 1 Shower Door Installation Kit
- 1 Installation Instructions
- 1 Chrome Shower Drain

Each Neo Angle Shower System Kit Contains:

- 1 Neo Angle Shower Base, 52" x 52" (select color)
- 40 8" x 8" x 4" Glass Blocks
- 20 6" x 8" x 4" EndBlock™ Units
- 20 8" TRIDRON 45° Block®
- 10 Panel Anchors, 24" long
- 1 Panel Anchor Hardware Kit
- 1 2 oz. Bottle of WeldBond® Primer
- 1 8 oz. Bottle of TGR® Grout Sealer
- 8 Panel Reinforcing, 48" long
- 10 Expansion Strip, 24" long
- 2 Tubes Glass Block Sealant, 10 oz.
- 4 Bags (25 per bag) VeriTru® Spacers
- 1 Pivot Shower Door
- 1 Shower Door Installation Kit
- 1 Installation Instructions
- 1 Chrome Shower Drain

Note: Kits do not include glass block mortar, plumbing fixtures, or ceramic tile or tile board for rear walls. Instructions are available at our website: www.pittsburghcorning.com

Custom shower designs available from select Pittsburgh Corning Glass Block Distributors. Contact your local glass block distributor for more information.